

16 cm 3-Way Speaker 300 W MAX.



## Key Selling Point

- A combination of rigid mica and light pulp enable the cone to reproduce clear, energetic Loud & Aggressive sound
- Aggressive grille and red flange design create a strong impression even long after installation.
- Extra screw holes for easier installation for various cars.
- Mesh grille fully covered to keep out dust. Unique design suits those who dare to stand out when it comes to car lifestyle.

## Speaker Technology

### Loud & Aggressive

Mica-Reinforced Pulp Cone

TS-R1651S TS-R1051S

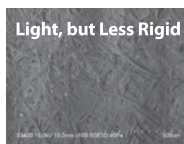


Lightweight high-rigidity cone material helps make sound "Loud and Aggressive".

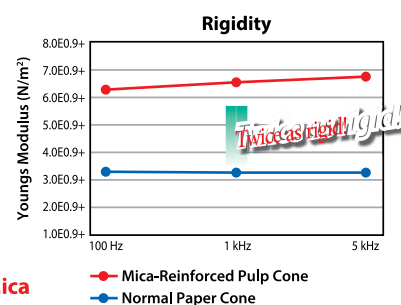
Microscopic Image of Cone Surface

Normal Paper Cone

Light, but Less Rigid



Mica-Reinforced Pulp Cone



### High-Quality Design & Dustproof

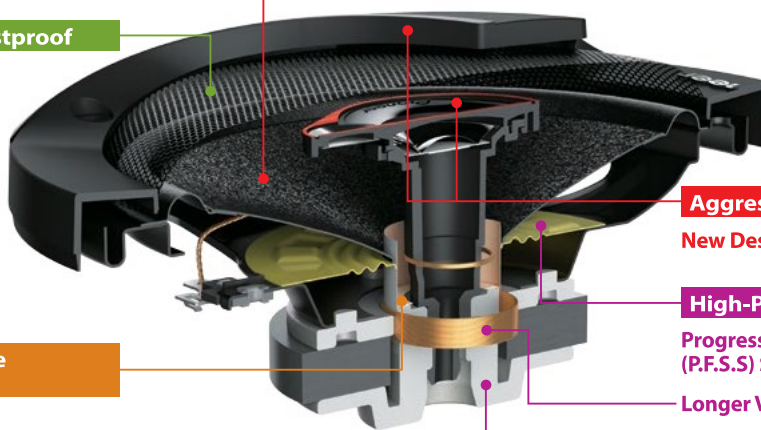
#### Fully Covered Mesh Grille

Fully covered mesh grille prevents dust from entering speaker body.



Wider Frequency Response & Less Distortion

Copper Ring



Aggressive Design Appearance

New Design Grille and Flange

High-Power & High-Impact Bass

Progressive Flex Suspension System (P.F.S.S) Spider

Longer Voice Coil Width

Long Stroke Yoke

## Loud & Aggressive

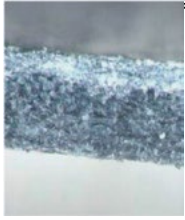
### Multilayer Mica Matrix Cone

Various materials were carefully combined to develop a diaphragm of extra lightness and rigidity to reproduce sound clearly with outstanding responsiveness, sensitivity and a suitable degree of internal loss.

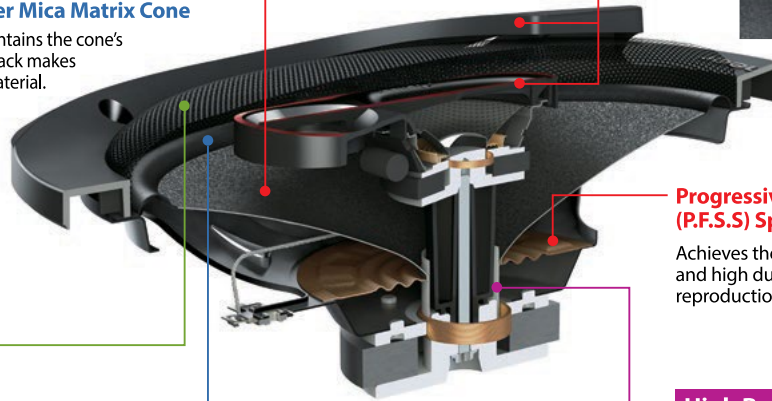


### Microscopic Image of Multilayer Mica Matrix Cone

A surface containing mica properly maintains the cone's superior rigidity and internal loss. The back makes excellent use of light water-resistant material.



### Fully Covered Mesh Grille



### High Sensitivity

### Light Weight Rubber Coated Cloth Surround

## Aggressive Grille and Red Flange



### Progressive Flex Suspension System (P.F.S.) Spider

Achieves the best balance between sound quality and high durability. This system realizes ideal sound reproduction.

## High Power

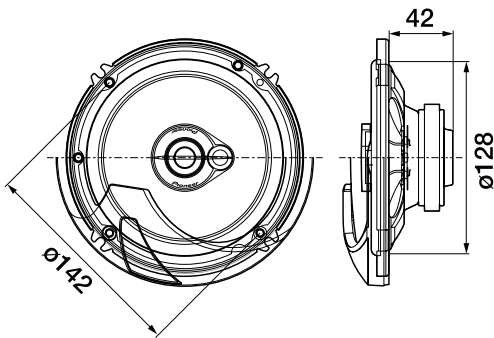
### Voice Coil with Aluminum Bobbin

Excellent heat dissipation and durability enhance tolerance to high input power.

## Main Specifications

Max music power output	Nominal music power output	Frequency Response	Sensitivity	Impedance	Size	Mounting Depth	Cut-Out Dimensions
300 W	40 W	30Hz to 18kHz	90 dB	4Ω	16cm	42mm	ø128 mm

## Dimension



For more information please visit  
[www.pioneer-mea.com](http://www.pioneer-mea.com)  
[facebook.com/PioneerMEA](https://facebook.com/PioneerMEA)

Year of Release: 2017

Pioneer, Gulf Free Zone Dubai, U.A.E.  
 Tel: +971 4 8815756, Fax 8816414  
 Email: support@pioneer-uae.com  
[www.pioneer-mea.com](http://www.pioneer-mea.com)

Corporate web : [www.pioneer.jp](http://www.pioneer.jp)

Copyright Info: ©2016 Pioneer MEA. All Rights Reserved. Reproduction in whole or in part without written permission is prohibited. Design, Features and Specifications are subject to change without notice.

