

10 cm Dual Cone Speaker 190 W MAX.

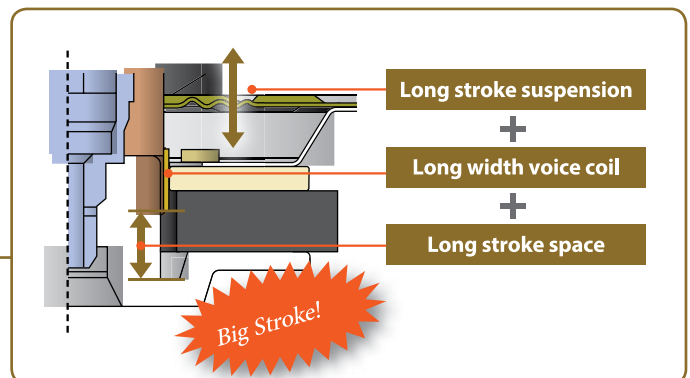
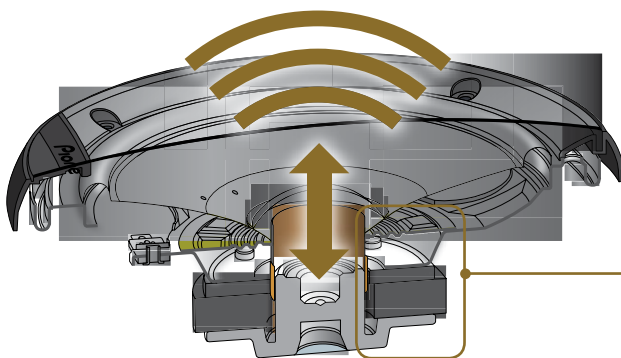


**Key Selling Point**

- Optimal sound reproduction features well-balanced combination of vocal and bass.
- Shallow Mounting depth and comprehensive lineup allows for wide applications.
- Long-stroke motor and suspension for high-impact bass.
- Universally appealing advanced stylish design.

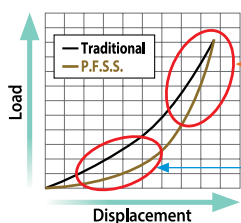
**Speaker Technology**

**Higher-Impact Bass**



**P.F.S.S Patented Technology**

With exclusive material inherited from Pioneer's high-end PRS Series, this system realizes ideal sound reproduction.

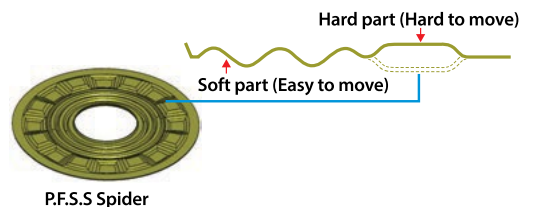


**Excessive input (irregular situation) Controls excessive vibration**

**High Durability!!**  
Maximizes power

**Small input (usually for listening) Easy to move!**

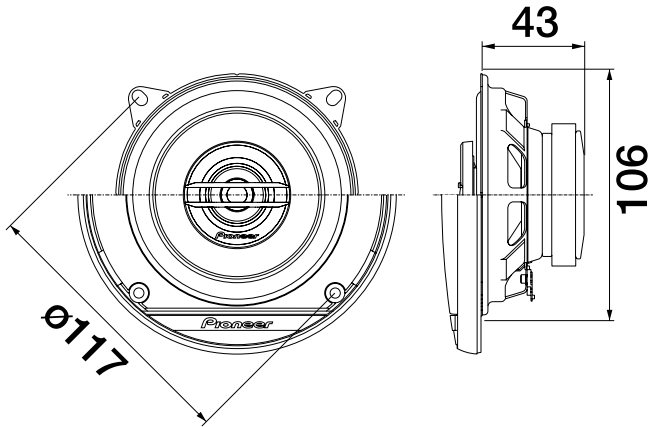
**Low resonance frequency!!**  
Contributes to deep bass sound



## Main Specifications

Max music power output	Nominal music power output	Frequency Response	Sensitivity	Impedance	Size	Mounting Depth	Cut-Out Dimensions
190 W	30 W	38Hz to 26kHz	86 dB	4Ω	10 cm	43mm	ø106 mm

## Dimension



For more information please visit  
[www.pioneer-mea.com](http://www.pioneer-mea.com)  
[facebook.com/PioneerMEA](https://facebook.com/PioneerMEA)

Year of Release: 2017

Pioneer, Gulf Free Zone Dubai, U.A.E.  
Tel: +971 4 8815756, Fax 8816414  
Email: [support@pioneer-uae.com](mailto:support@pioneer-uae.com)  
[www.pioneer-mea.com](http://www.pioneer-mea.com)

Corporate web : [www.pioneer.jp](http://www.pioneer.jp)

Copyright Info: ©2016 Pioneer MEA. All Rights Reserved. Reproduction in whole or in part without written permission is prohibited. Design, Features and Specifications are subject to change without notice.

